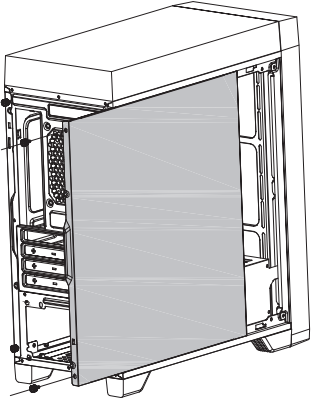



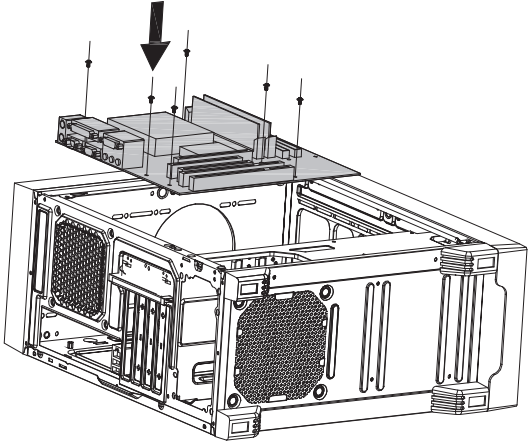
①




How to disassemble side panel



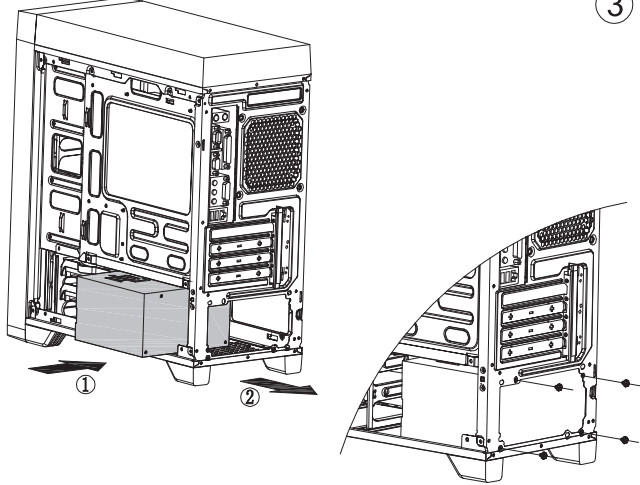
②




Install mainboard



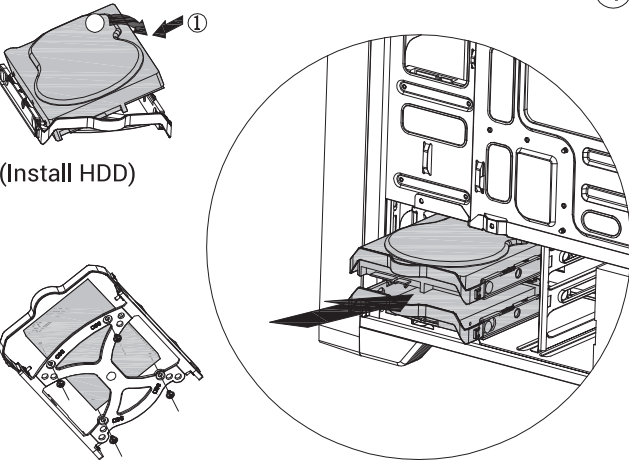
③



Install power supply




④



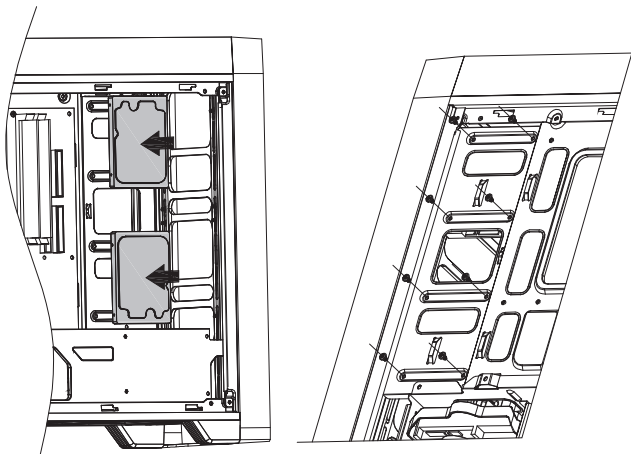
(Install HDD)

(Install SSD-Position 1)


Install 3.5" HDD/2.5" SSD



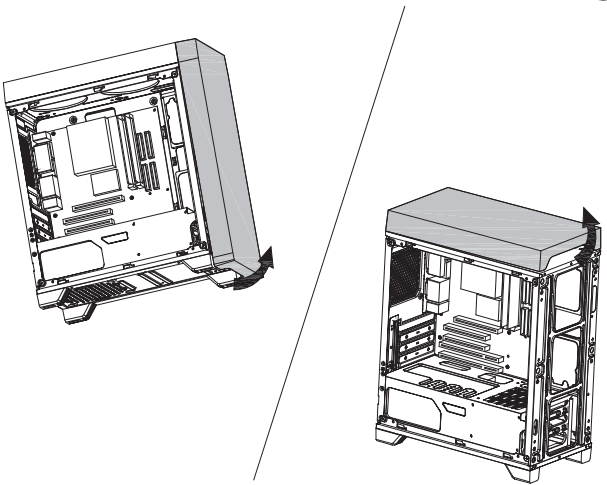
⑤




(Position to install SSD-2)



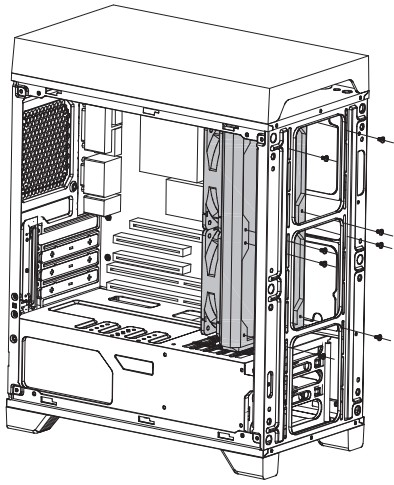
⑥



First step: Disassemble front panel
Second step: Disassemble top panel



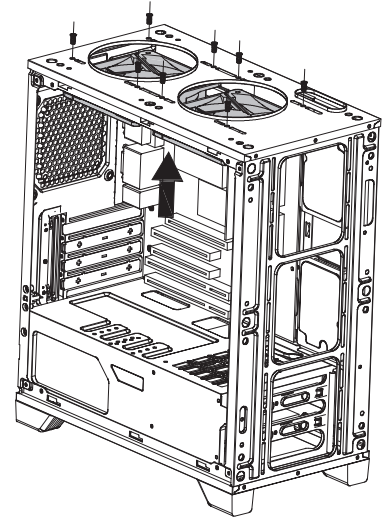
7



Install 240mm Water-Cooling



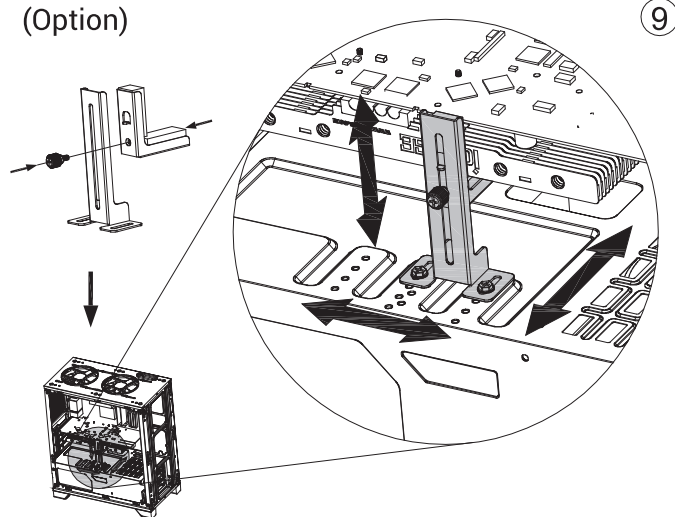
8



Install top Fan



9



Install the VGA Card & Use the bracket to fix VGA Card



Instructions For Connection Ports

10

HDD Indicator Light Port

The contact pin showing HDD_LED, HD_LED, HLED OR IED_LED etc on the mother-board

Power Supply

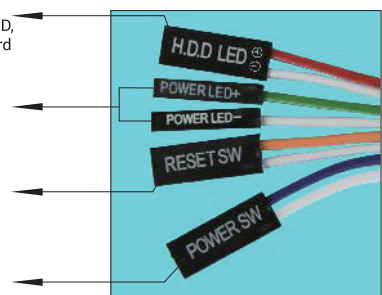
The contact pin showing PWR_SW, PWR_BIN, RWR etc on the mother-board

Reset Port

The contact pin showing RST_SW, RES_SW, RST etc on the mother-board

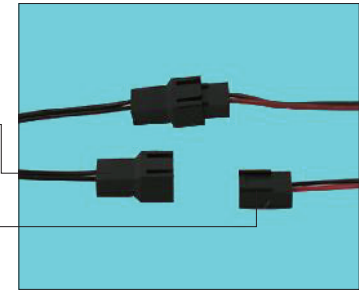
Power Supply Switch Port

The contact pin showing PWR_LED, POW_LED, MSG or P_LED etc on the mother-board



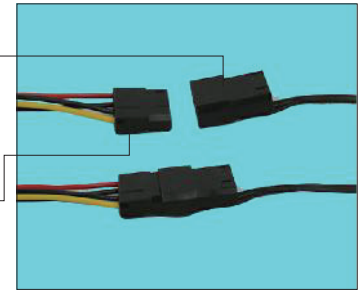
Control board out-put port

Fan 3 pin in-put port



Control board in-put port

Power HDD out-put port



Notice: Please note the plus-n-minus port when connecting

Notice: Please note the plus-n-minus port when connect the male / female I/O