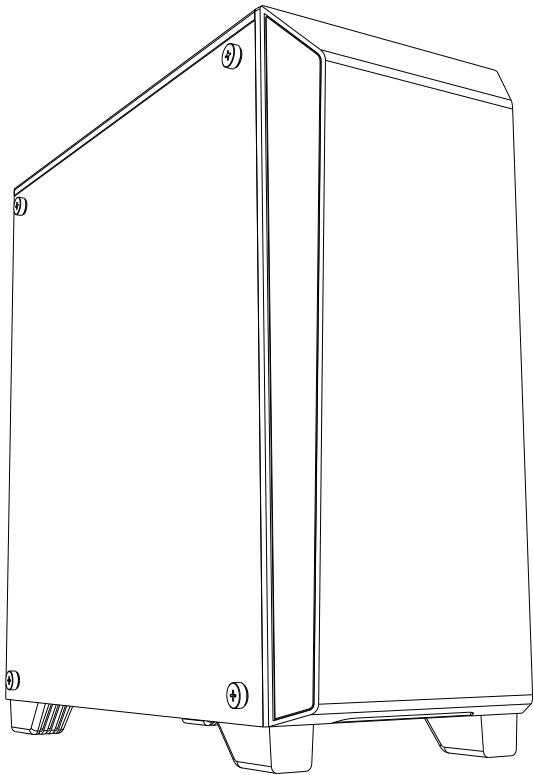




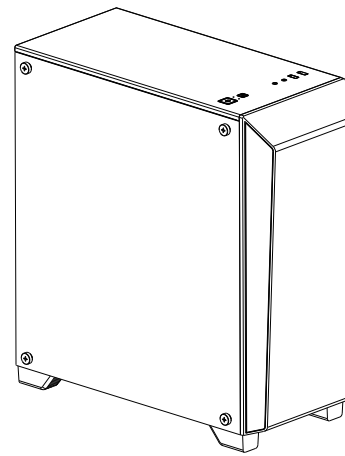
NOVA N5

INSTALLATION GUIDE



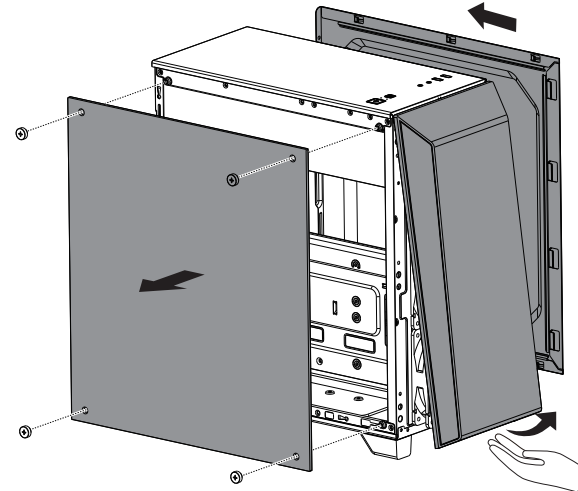
CopyRight @ 2025.02

0



- A: Remove the side panels and front panel.
- B: Install the power supply (PSU).
- C: Install the motherboard (MB).
- D: Install the fans.
- E: Install the hard-disk drive (HDD).
- F: Install the solid-state drive (SSD).
- G: Install the graphics card (VGA).

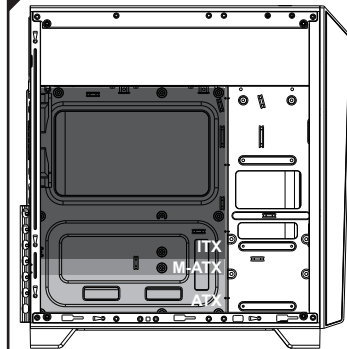
A



• Please remove the screws before removing the side panels.

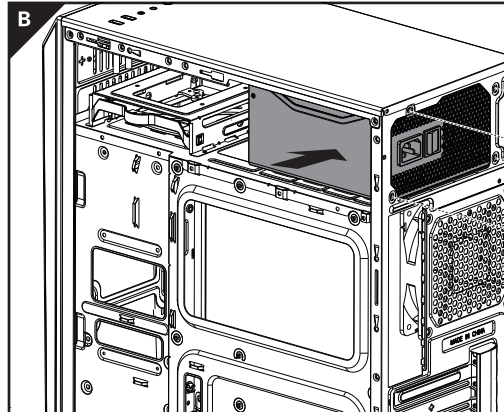
• Please remove the side panels before removing the front panel.

C



• Screw the iron screws, use the provided standoffs and screws to secure the motherboard

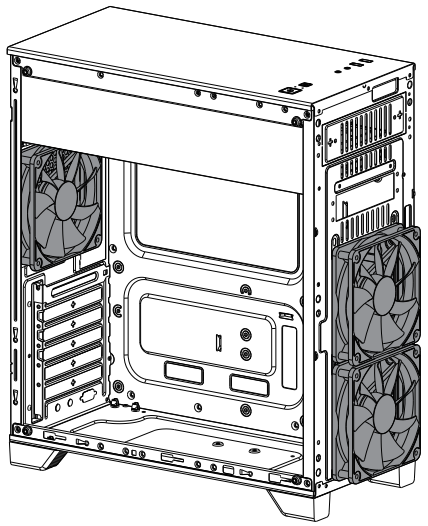
B



INSTALL THE POWER SUPPLY (PSU)

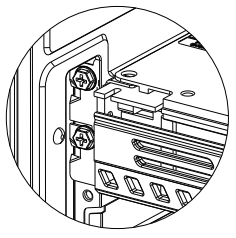
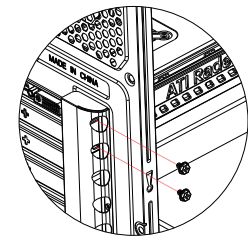
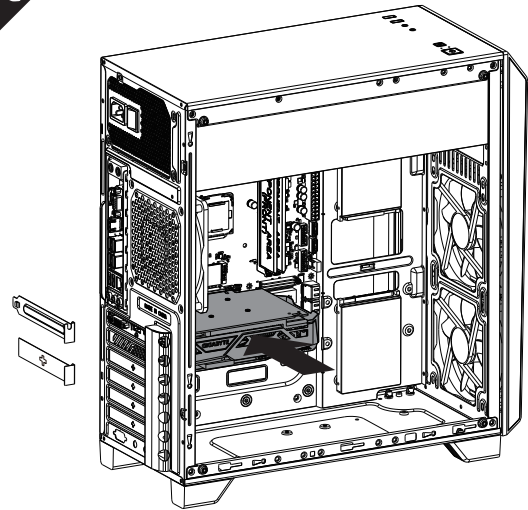


• Please make sure that the PSU ventilation slots and threaded holes are positioned correctly in relation to the chassis.

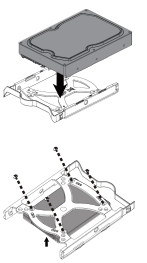
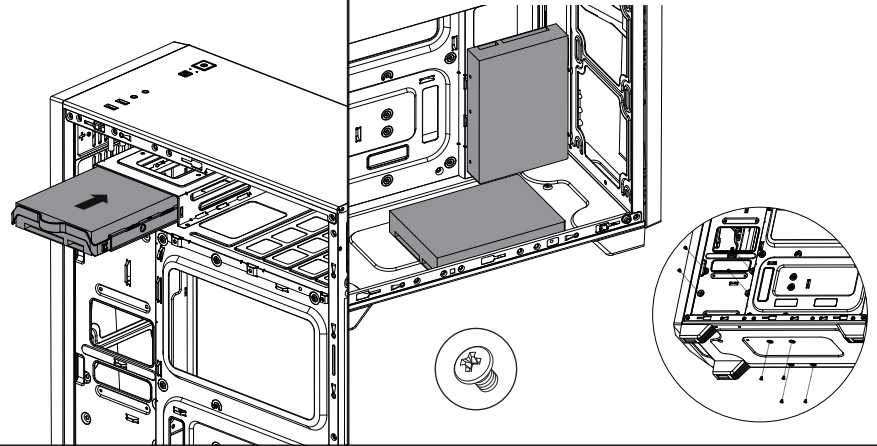
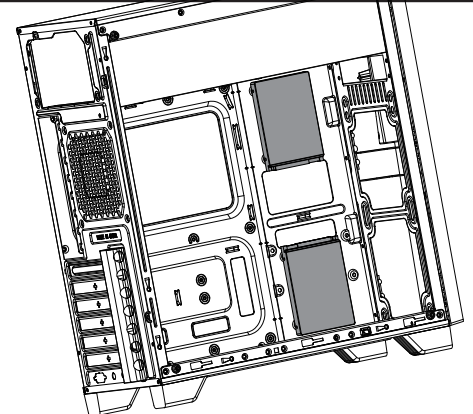
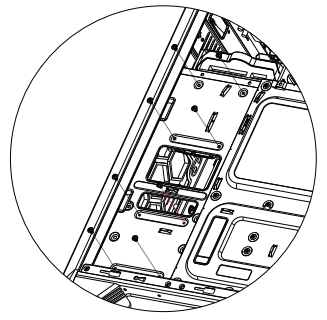
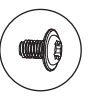
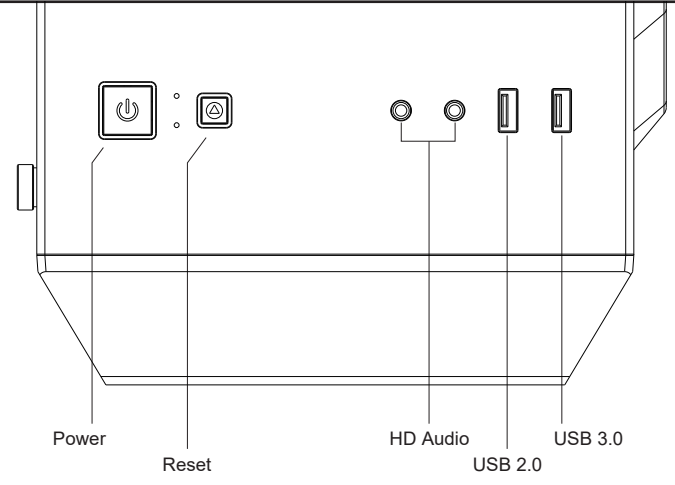
D**INSTALL THE FANS**

- Supported fans (maximum)
Front: 2x 120 mm(optional)
Back: 1x 120 mm(included)

For superior performance, the chassis allows the use of a CPU cooler (135mm maximum Height)

G**INSTALL THE GRAPHICS CARD (VGA)**

- Remove the PCI slot protection cover.
Install the graphics card and secure it with a screw.

**E****1 INSTALL 3.5" HDD POSITION 1****2 INSTALL 3.5" HDD POSITION 2****F****INSTALL 2.5" SSD****I/O PANEL****PIN diagram for I/O panel cable**