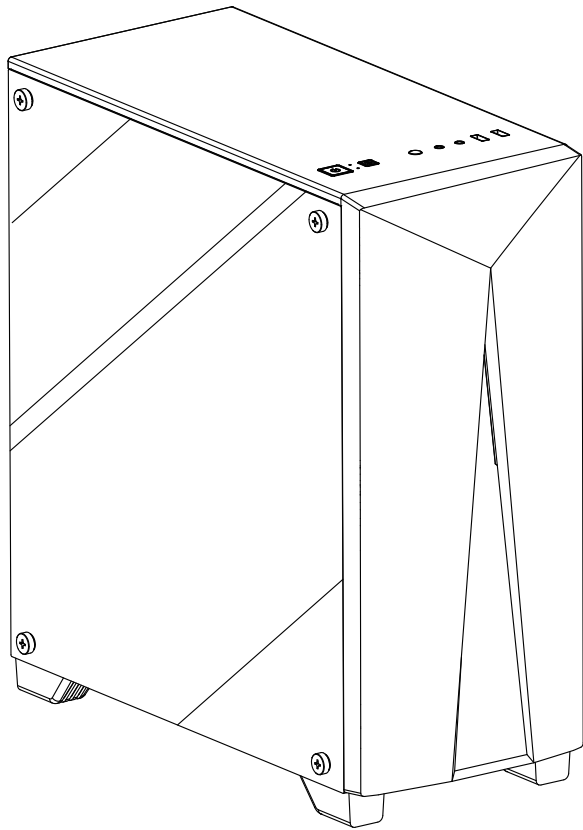




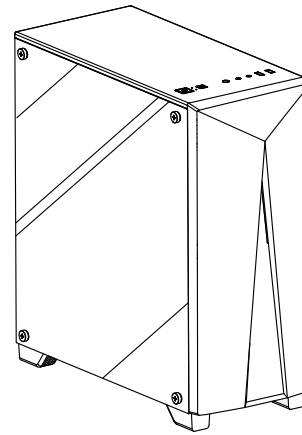
# NOVA N6

## INSTALLATION GUIDE



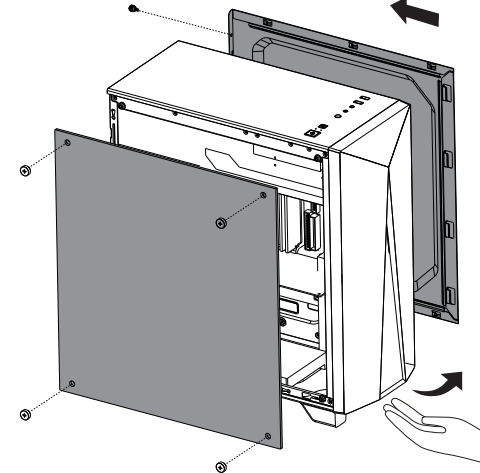
CopyRight @ 2025.02

0



- A: Remove the side panels and front panel.
- B: Install the power supply (PSU).
- C: Install the motherboard (MB).
- D: Install the fans.
- E: Install 3.5" HDD
- F: Install 2.5" SSD
- G: Install the graphics card (VGA).

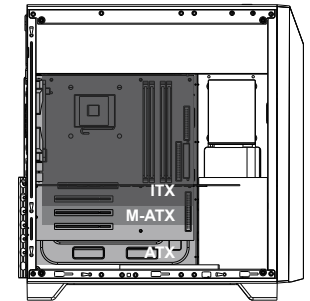
A



• Please remove the screws before removing the side panels.

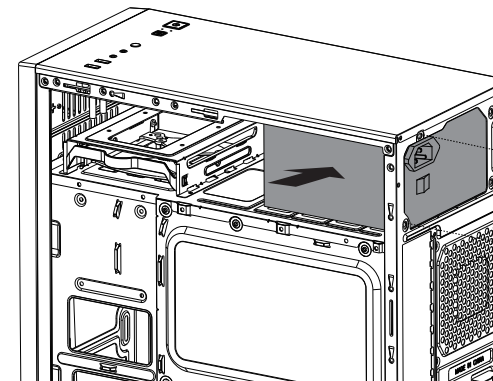
• Please remove the side panels before removing the front panel.

C



• Screw the iron screws, use the provided standoffs and screws to secure the motherboard

B



### INSTALL THE POWER SUPPLY (PSU)

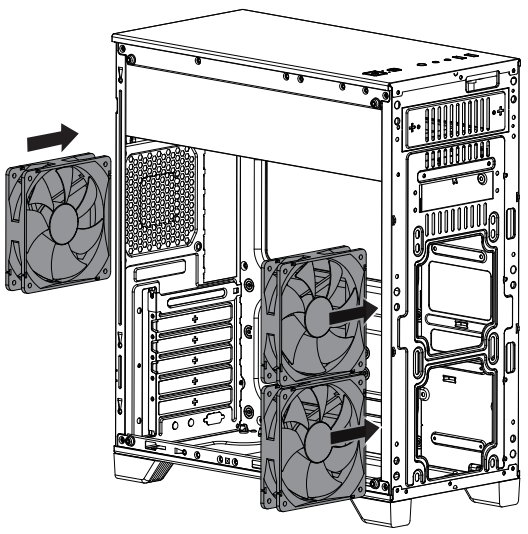
• Please make sure that the PSU ventilation slots and threaded holes are positioned correctly in relation to the chassis.

### D INSTALL THE FANS



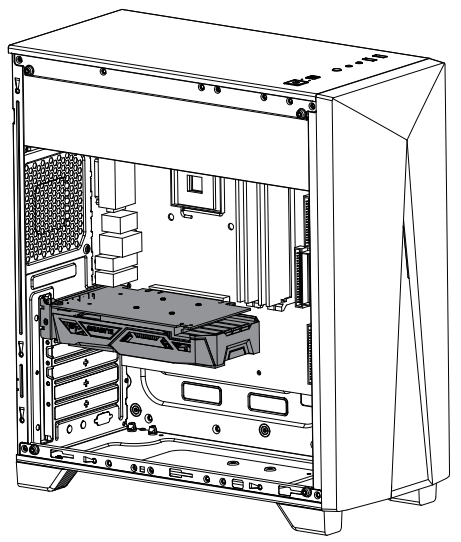
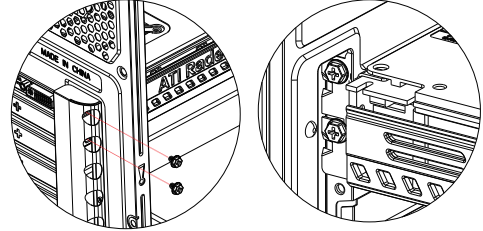
- Supported fans (maximum)  
Front: 1x 120 mm  
Back: 1x 80/120 mm

For superior performance, the chassis allows the use of a CPU cooler (135mm maximum Height)

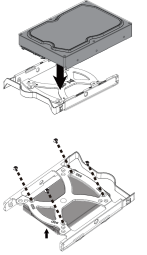


### G INSTALL THE GRAPHICS CARD (VGA)

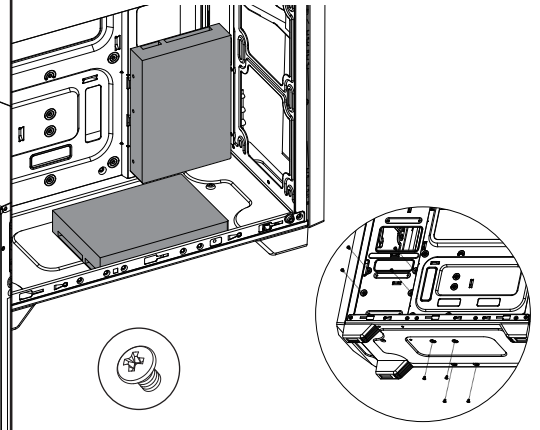
- Remove the PCI slot protection cover.  
Install the graphics card and secure it with a screw.



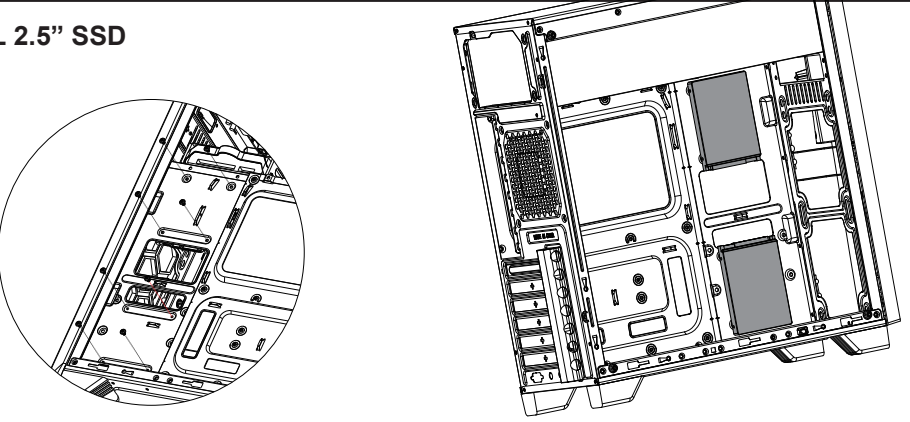
### E 1 INSTALL 3.5" HDD POSITION 1



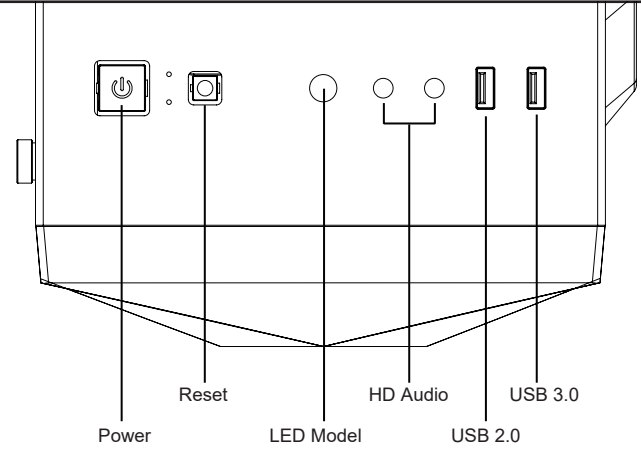
### 2 INSTALL 3.5" HDD POSITION 2



### F INSTALL 2.5" SSD



### I/O PANEL



### PIN DIAGRAM FOR I/O PANEL CABLE

