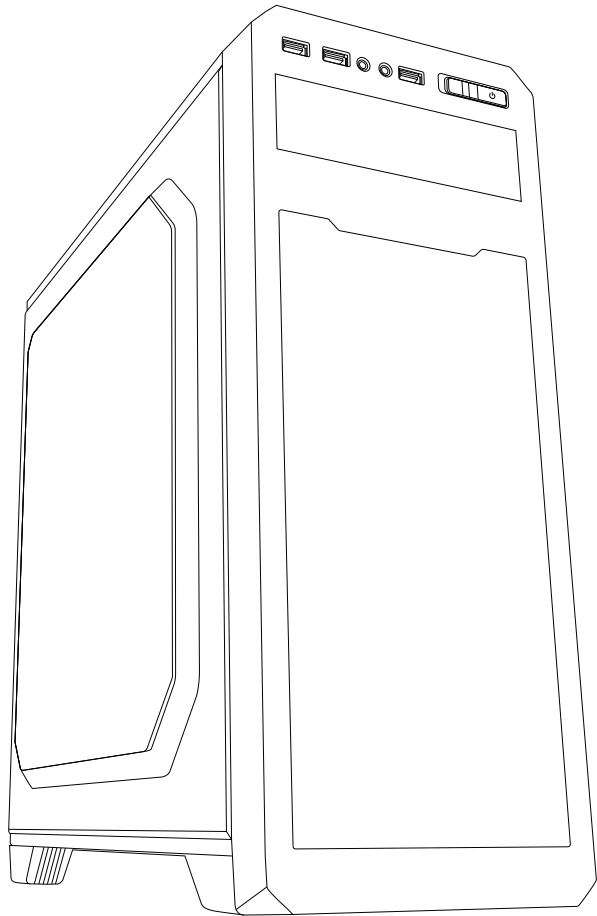




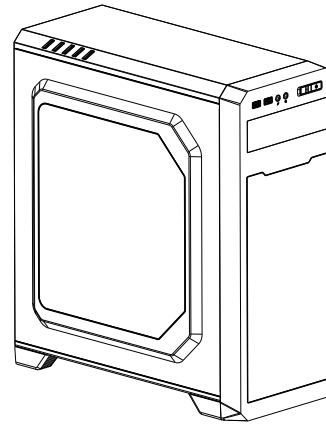
# G563

## INSTALLATION GUIDE



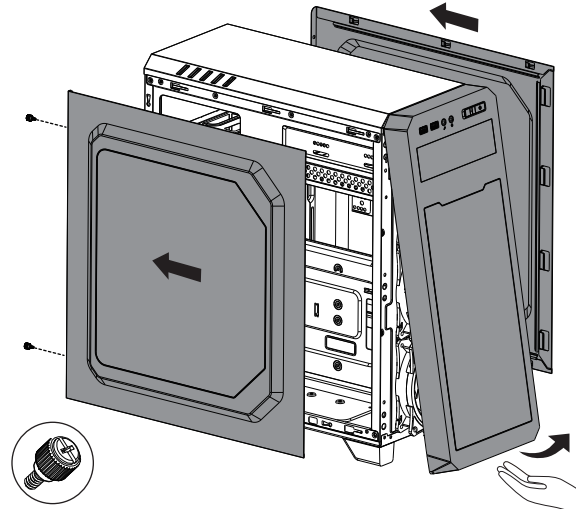
CopyRight @ 2025.02

0



- A: Remove the side panels and front panel.
- B: Install the power supply (PSU).
- C: Install the motherboard (MB).
- D: Install the fans.
- E: Install the hard-disk drive (HDD).
- F: Install the solid-state drive (SSD).
- G: Install the graphics card (VGA).

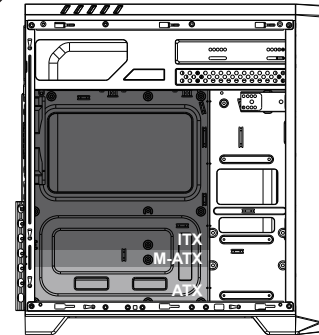
A



• Please remove the screws before removing the side panels.

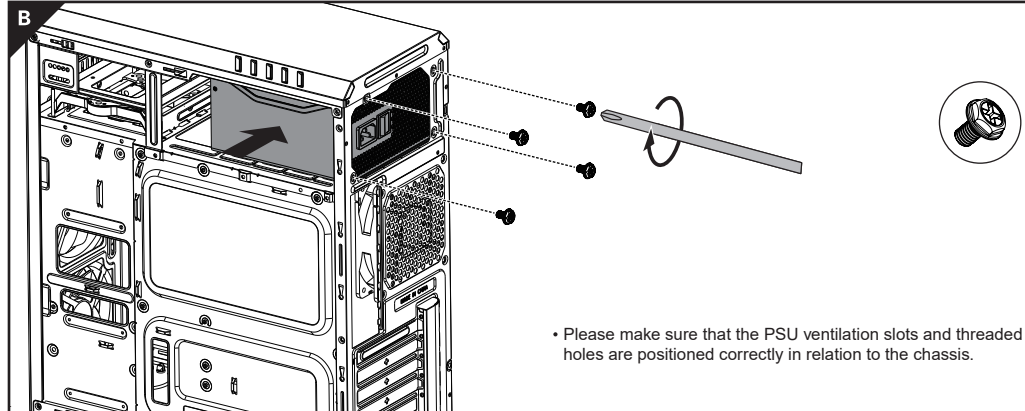
• Please remove the side panels before removing the front panel.

C

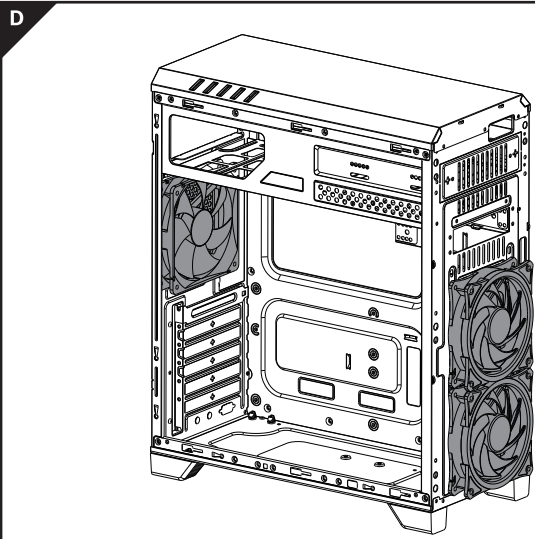


• Screw the iron screws, use the provided standoffs and screws to secure the motherboard

B

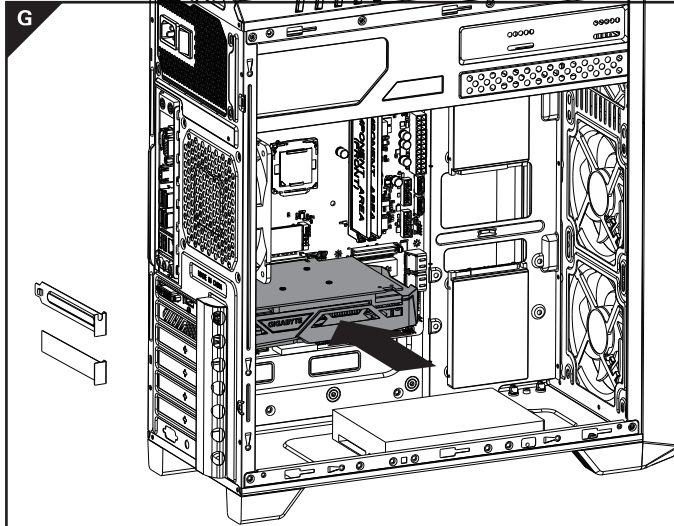


• Please make sure that the PSU ventilation slots and threaded holes are positioned correctly in relation to the chassis.

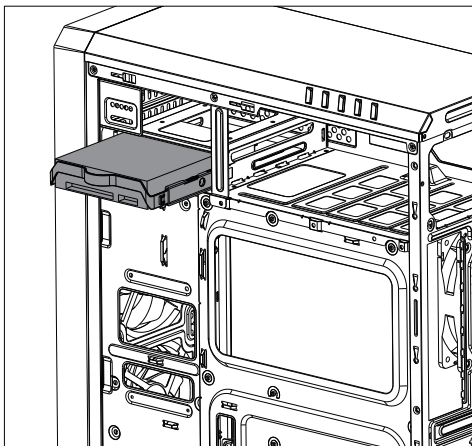
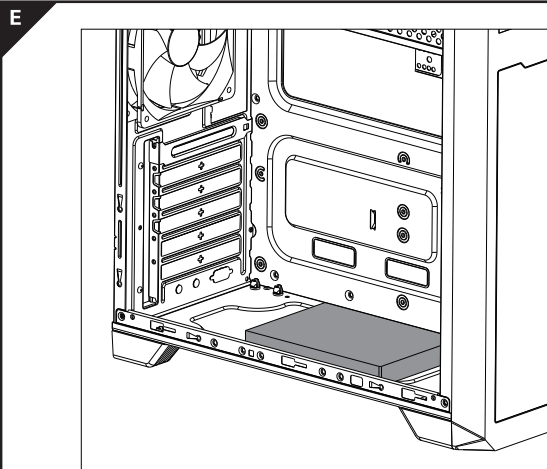


- Supported fans (maximum)  
Front: 2x 120mm  
Back: 1x 120mm

For superior performance, the chassis allows the use of a CPU cooler (135mm maximum Height)

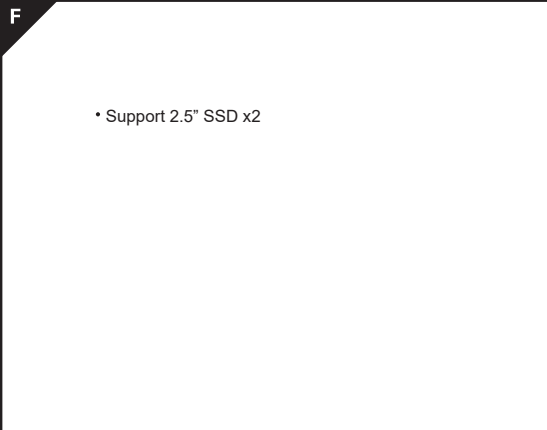
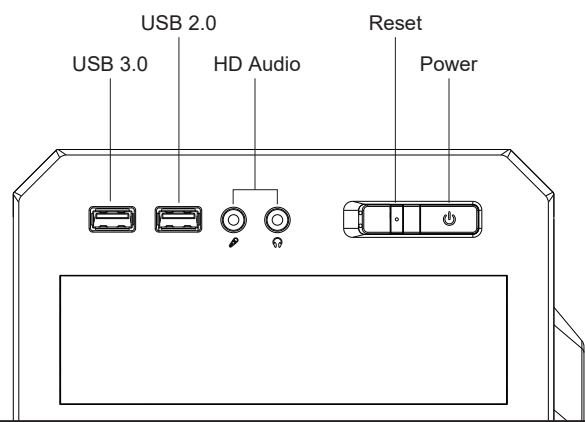


- Remove the PCI slot protection cover.  
Install the graphics card and secure it with a screw.



• Support 3.5" HDD x2

## I/O PANEL



• Support 2.5" SSD x2

## PIN diagram for I/O panel cable

